

Concrete Tiles and Cladding Installation guide

Architectural concrete panels have found use as façade and inner walls facings. The panels must be fixed to a stable, sturdy, and rigid surface.

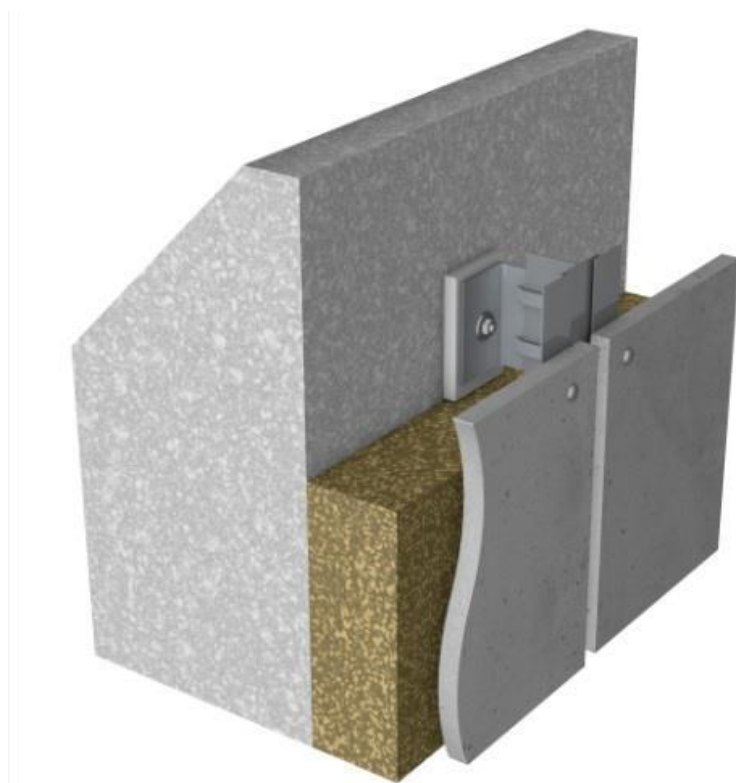
During the mounting, the panels may be machined with the use of tools suitable for concrete cutting.

There are two mounting types available: visible and invisible mounting.

1. System used for ventilated facades

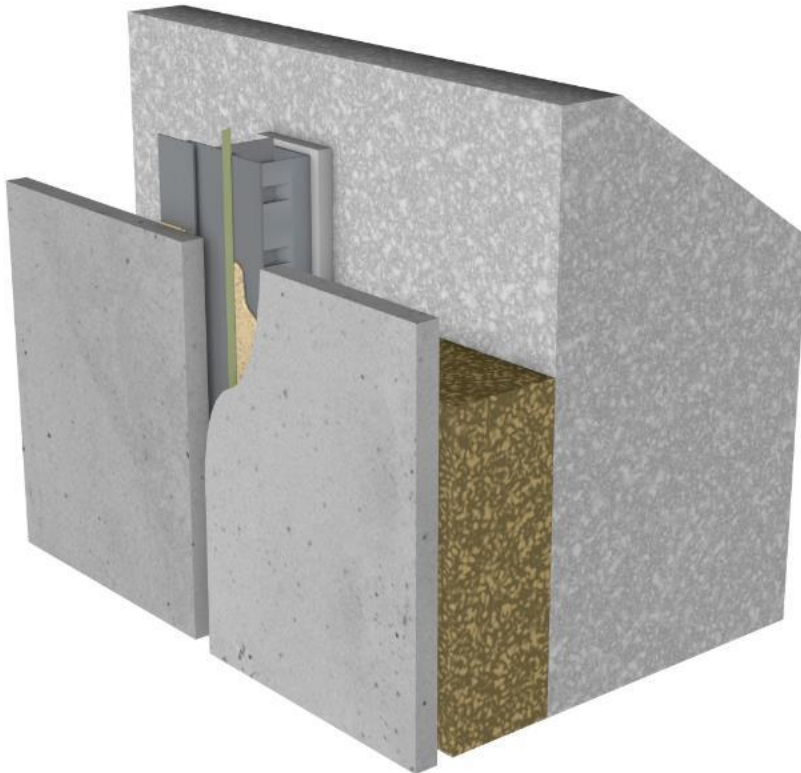
It is based on aluminium substructure with a visible or invisible system. Both consist of a bearer - corbel or profile (L or T).

a) **Visible** - riveting (mounting regardless of climatic conditions)

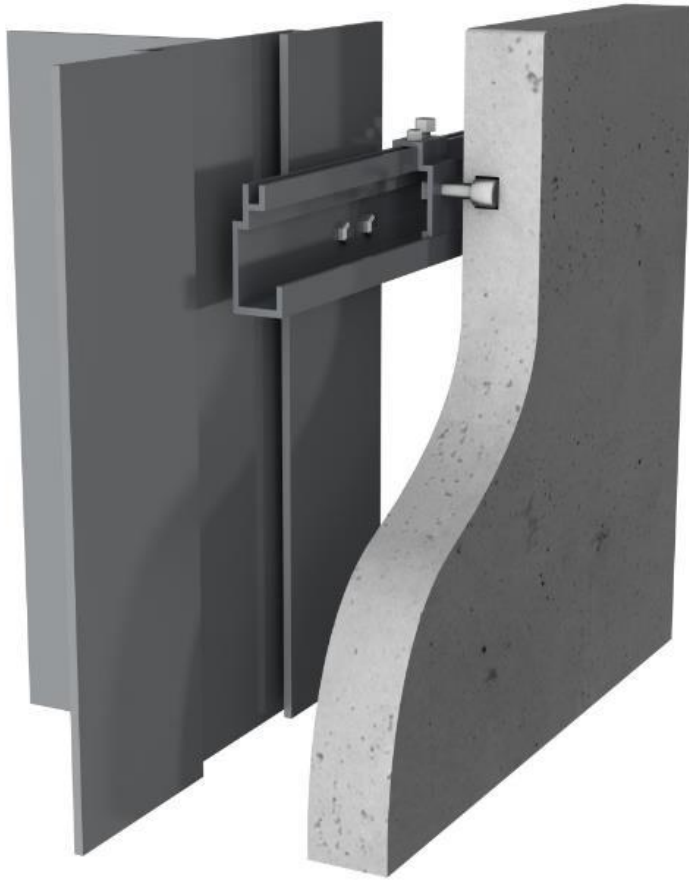


Visible mounting system - riveting

b) Invisible - gluing (with polyurethane glue); additionally, adhesive tape is used to ensure temporary adhesiveness of the panel to profiles until the glue cures. Mounting is possible only in convenient temperature and humidity.



Invisible mounting system - gluing - with the use of back-expanding sleeve (ensures high strength of connections immediately after mounting).



Invisible mounting system - with the use of a back-expanding sleeve

2. System used for inner decorative facades

a) **visible or invisible** depending on connection type:

- **anchoring** (for heavier panels, that cannot be held by the glue; mechanic anchors are used)



Hexagonal anchor on a Ø 12 mm panel

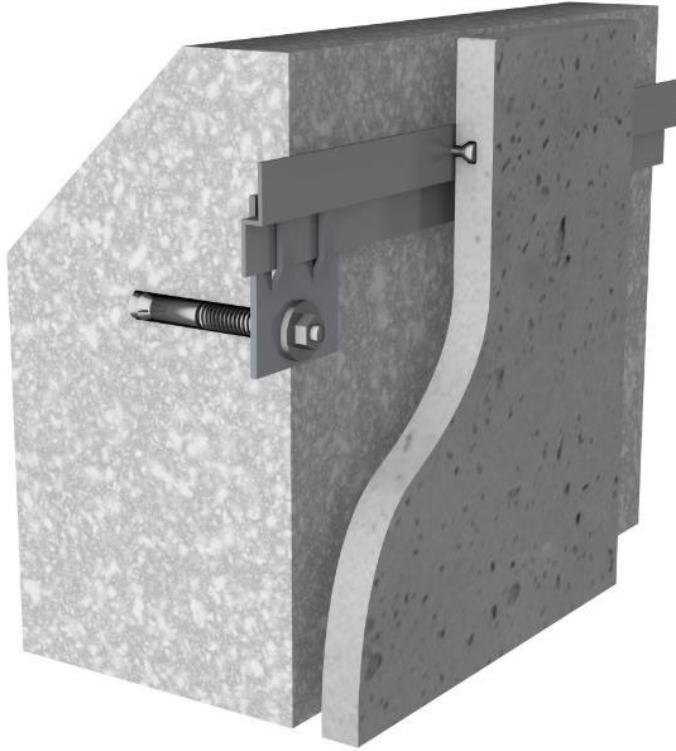


Hexagonal anchor placed in a \varnothing 34 mm opening



Flat anchor placed in a \varnothing 34 mm opening covered with a stainless steel or concrete cap in various colours.

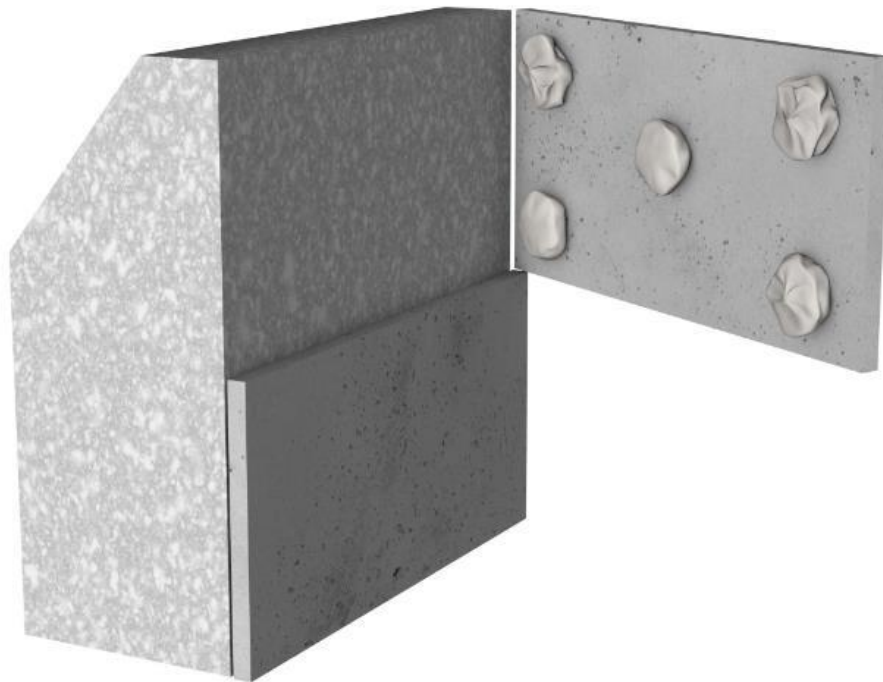
– **with an aluminium substructure**, as in the case of elevations.



Invisible mounting system - with aluminium substructure

b) invisible:

- **gluing** (with polyurethane or dispersion glue for mounting panels on small surfaces)

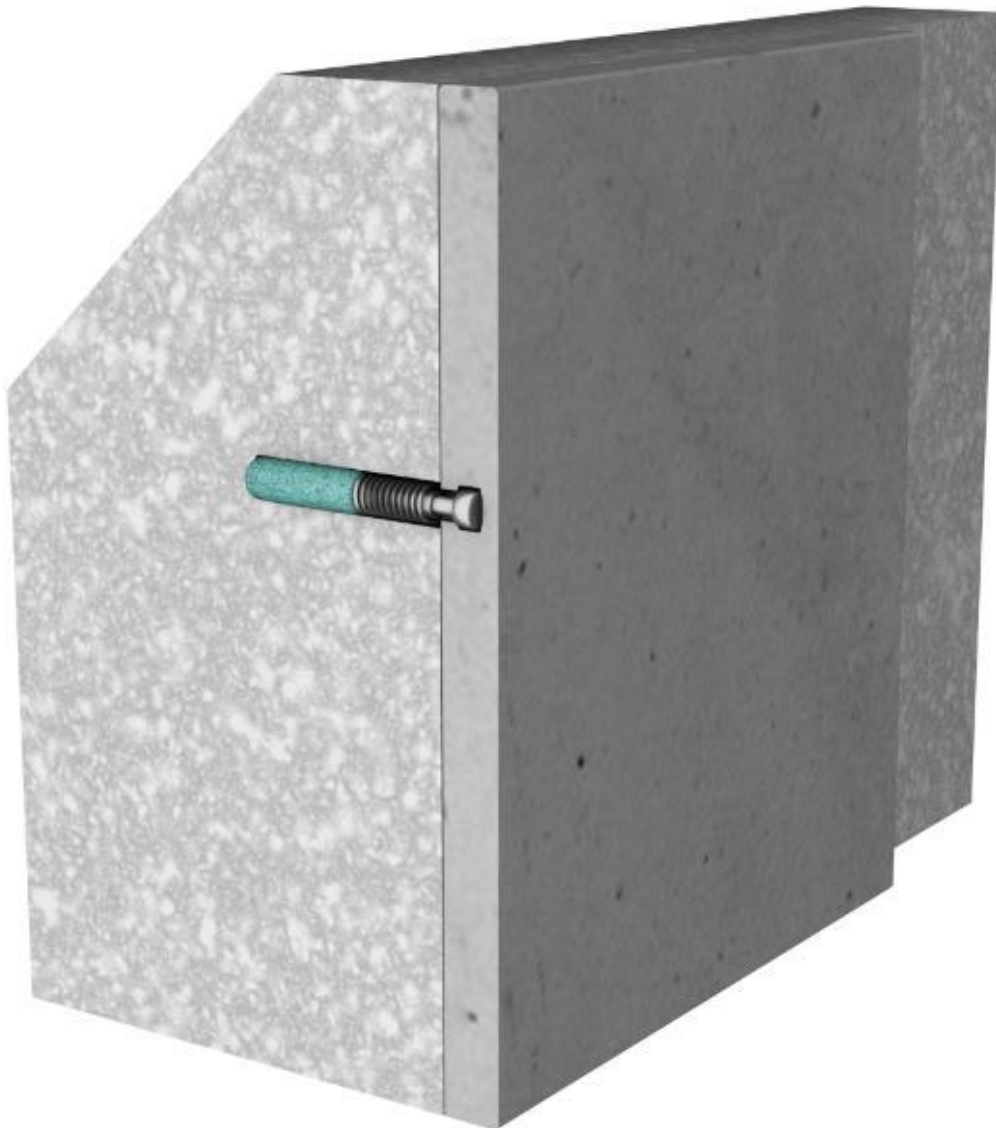


Example of gluing with use of the polyurethane glue.



Gluing with dispersion glue

- **anchoring** (with chemical anchors - a sleeve is embedded in the inner surface of the panel; then an appropriate rod is inserted in each of them, chemical anchor is putted in the openings, and the panel is fixed)



Invisible mounting system with use of the chemical anchor.